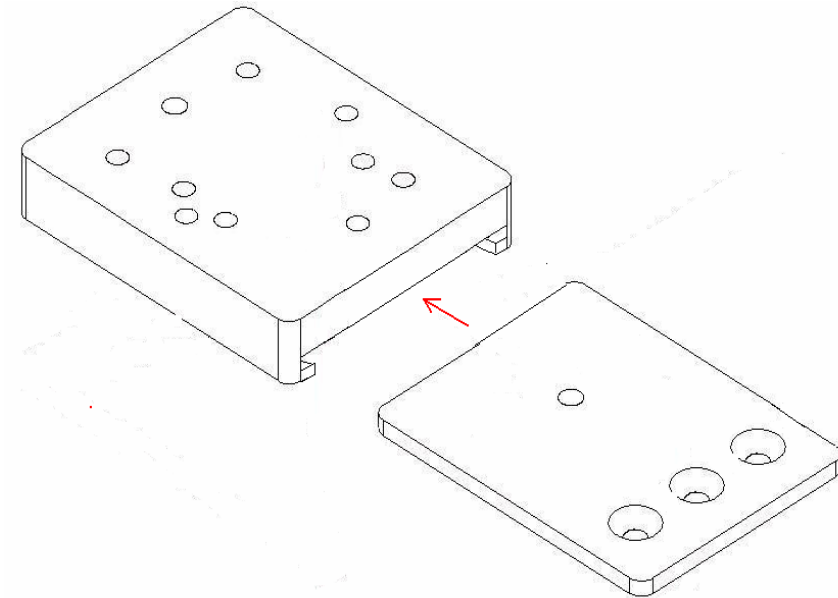


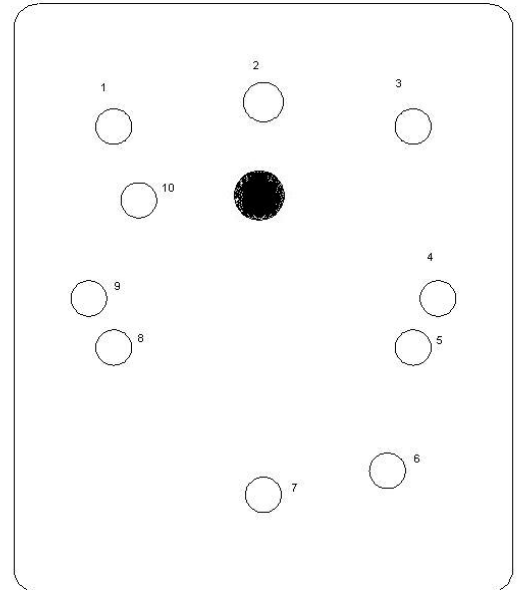
TECHMOUNT

Quick Change Adaptor Plate

PART #60003 / ZTechnik Z6202 v.2.0



Top View



Installation Instructions:

The Quick Change Adaptor shown above is designed to provide an easily removable mounting interface between a variety of mounting brackets and the Techmount standard top plate. Simply attach the cradle or mounting bracket to the Quick Change Adaptor using the mounting holes that align with the holes in the cradle or mounting bracket. Install the screws and locknuts as needed. Now simply slide the adaptor over any standard Techmount top plate until the locking pin drops into the thumb screw hole and lock firmly. (As shown above). To release the Adapter simply depress the locking pin from underneath with your key or similar object while sliding the Adapter until the Adapter slides free.

Use holes marked (1, 3, 5, and 8) for AMPS bolt pattern devices such as Garmin GPS cradles, Magellan GPS units, XM and Sirius satellite radio.

Use holes marked (2, 4, 6, 7, 9, and 10) for R.A.M. device cradles.

High Gear Specialties, Inc.
940 W. Oakland Ave. , Suite A10
Oakland, FL 34787
Toll -Free 1 866 341-4192
Fax 1 407 656-3799