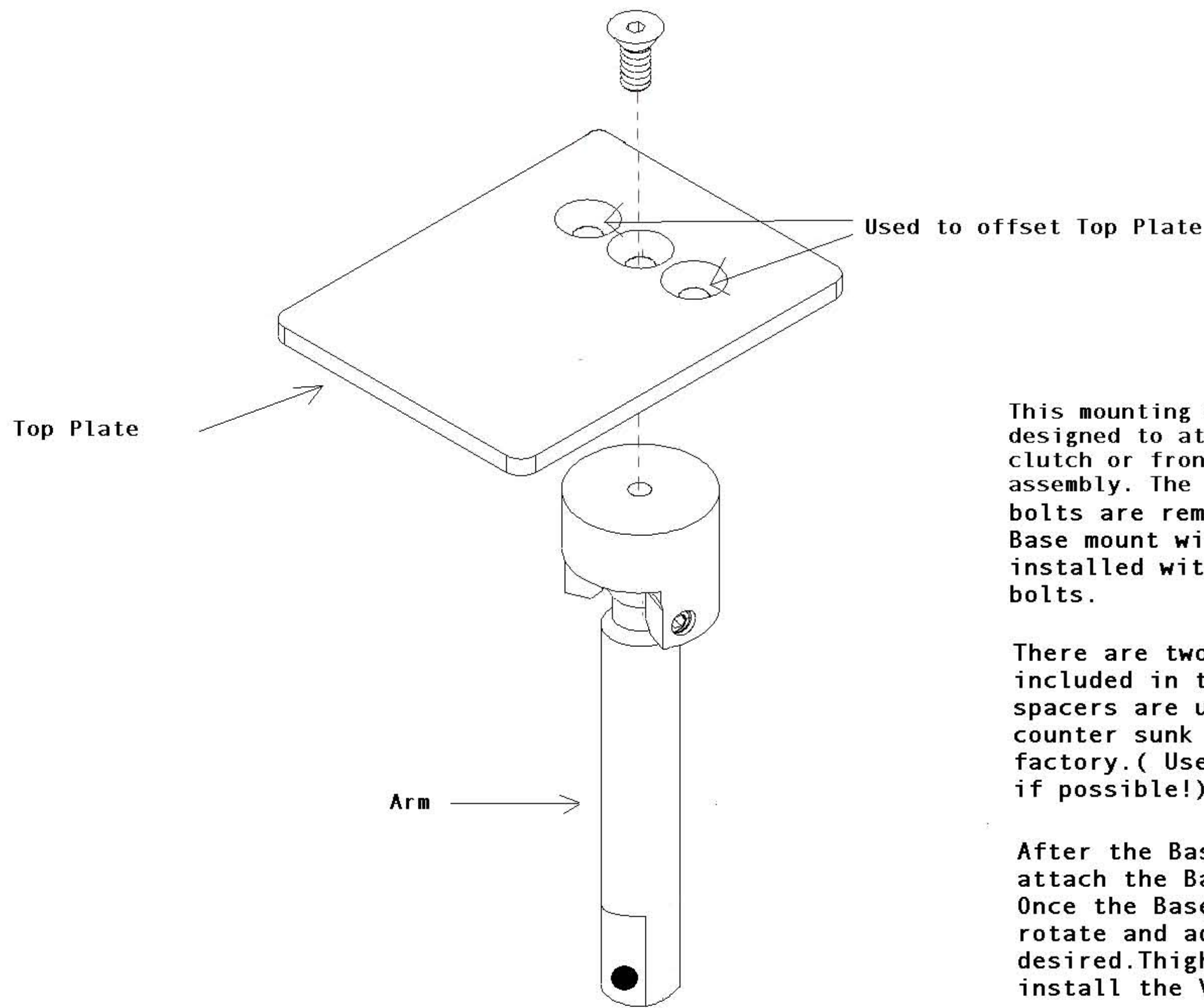


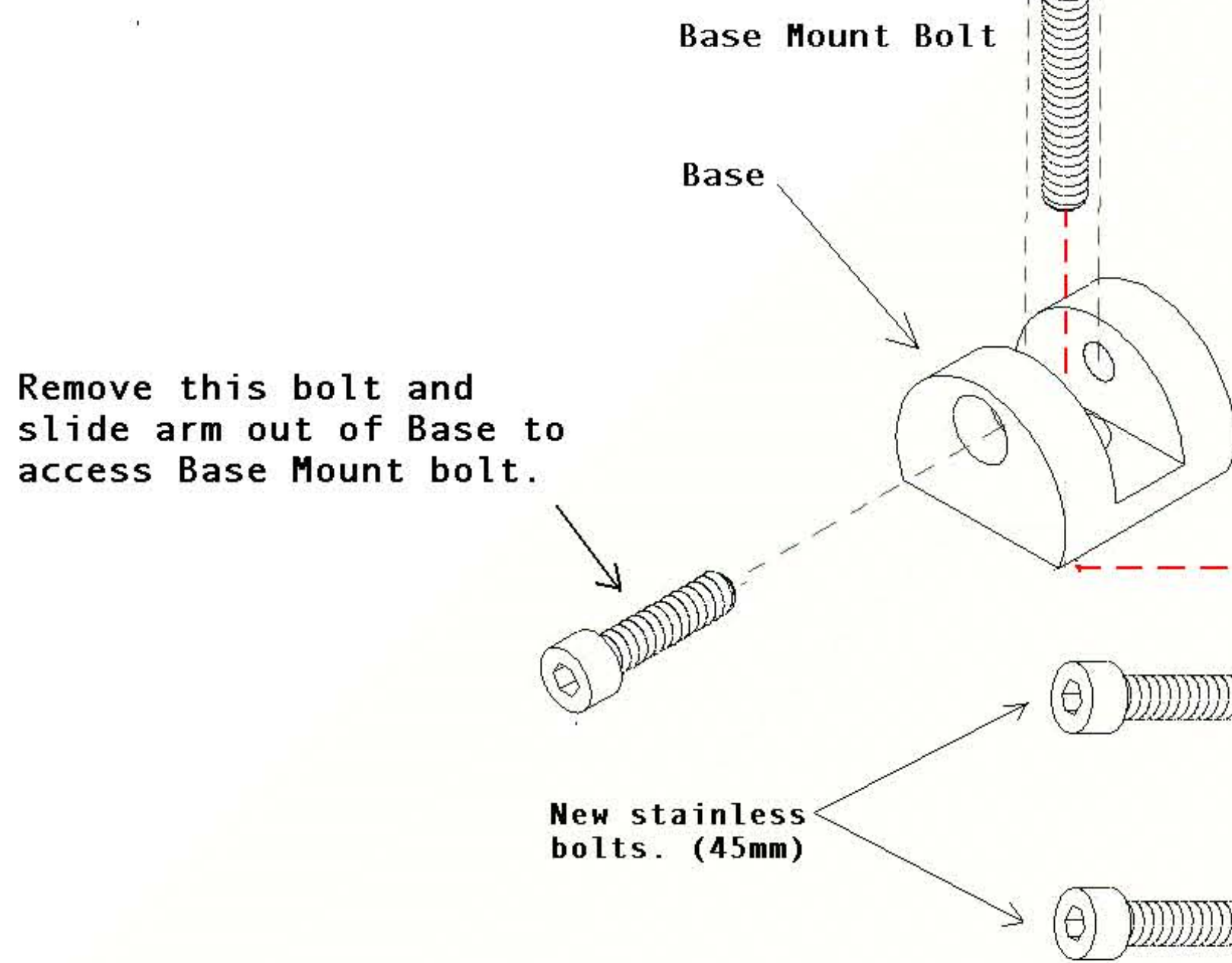
Part #31001 / #31002 / #31004 31005T  
Mounting instructions



This mounting system is designed to attach to the clutch or front brake control assembly. The two O.E.M. clamp bolts are removed and the Base mount with spacers are installed with supplied bolts.

There are two sets of spacers included in the kit. The longer spacers are used if your bike has counter sunk bolts from the factory. ( Use the short spacers if possible!)

After the Base mount is installed attach the Base and Arm Assembly. Once the Base and Arm are installed rotate and adjust the angle as desired. Tighten all fasteners and install the Velcro.



Remove factory bolts and replace with provided stainless bolts.

