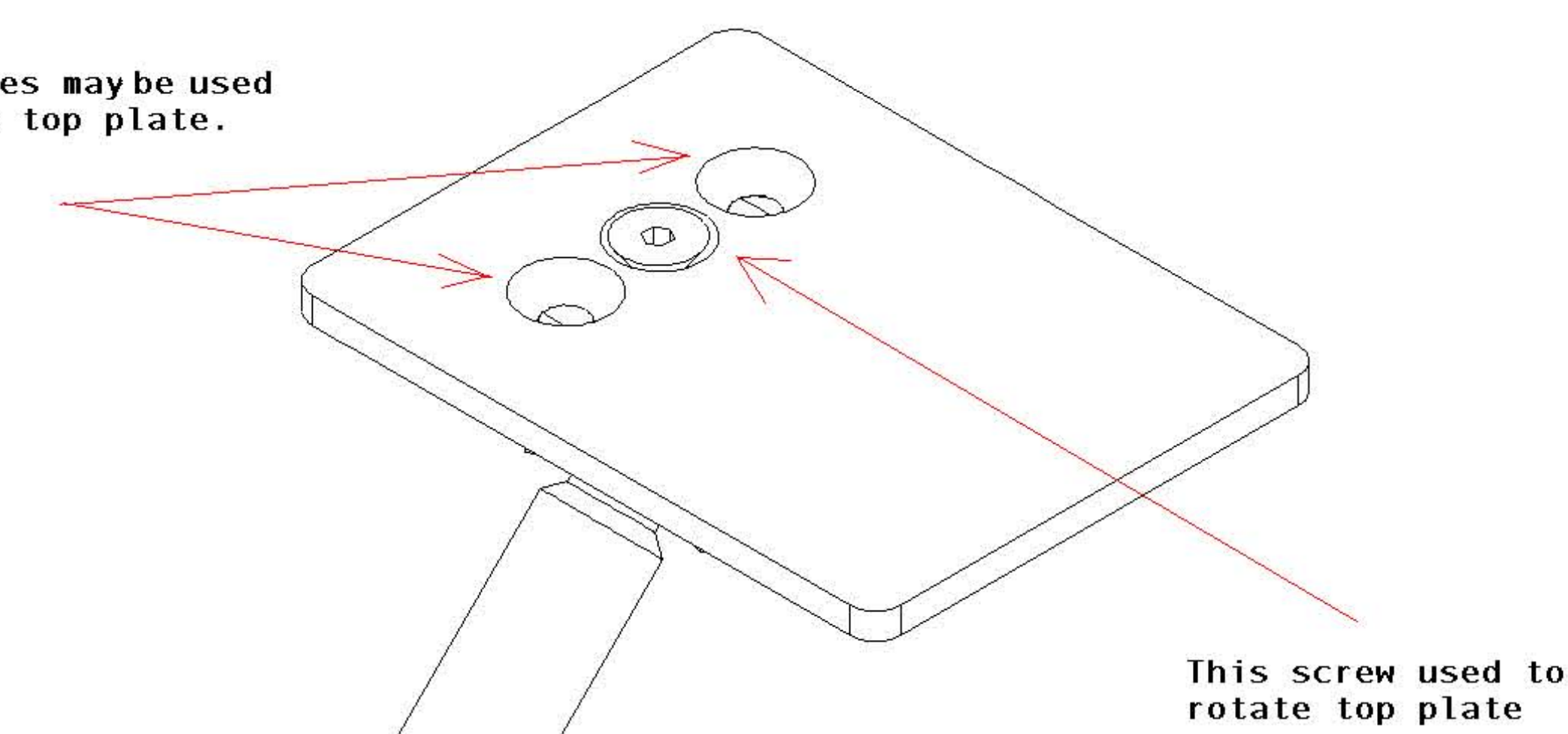
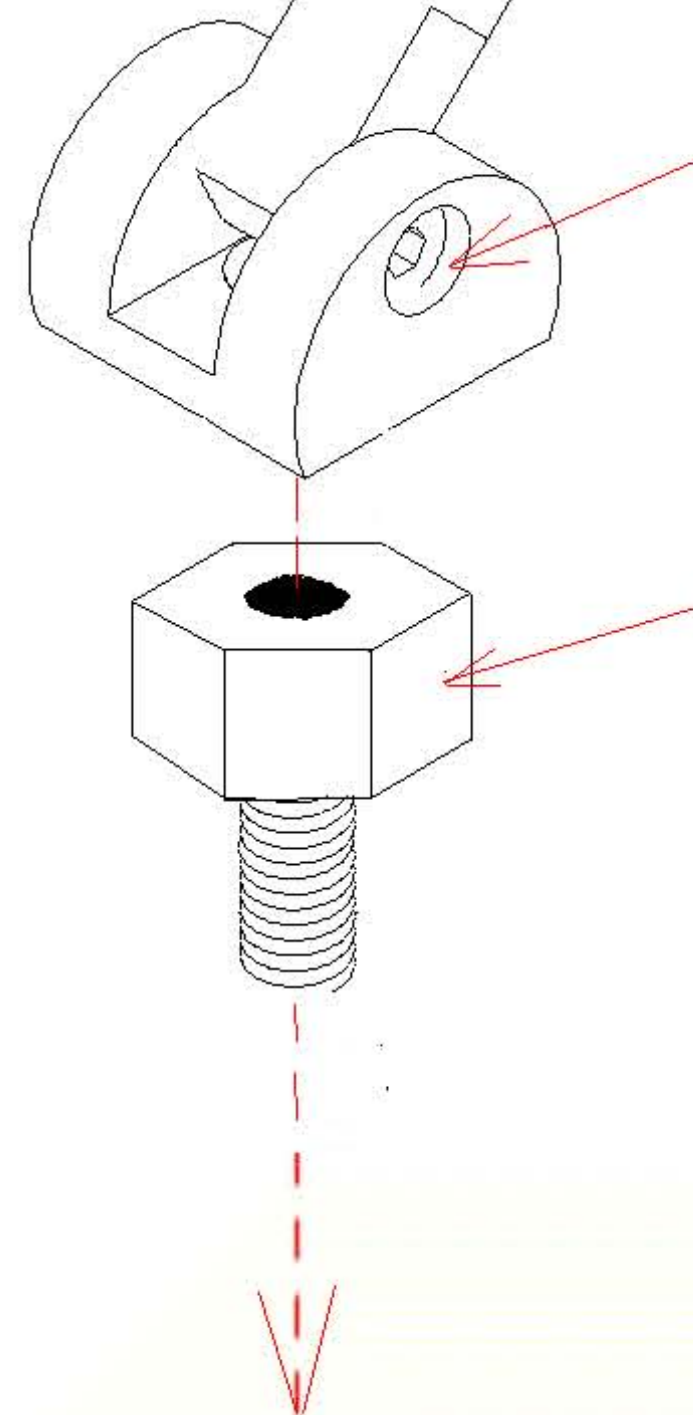


These holes may be used
to offset top plate.



This screw used to
rotate top plate

**You must remove the plastic cap
covering the mirror mounting hole
before installation!**



Step 1:
Remove this bolt first.
Slide arm out of the Base.
This will allow access to the
Base mounting screw.

Step 2:
Using a 19mm wrench
firmly install the Base
Extension into unused
mirror mounting hole on
left or right handle-bar
control assembly.
With the Base Extension tight,
adjust the Base to the desired
angle and tighten the Base
mounting screw. (using 1/8"
allen wrench)

Step 3:
Re-install arm and bolt from
Step 1. Set arm to desired
angle and tighten bolt. The
top plate can be rotated also
After the mount is in position,
install the supplied Velcro to
the top plate.

Mounting Instructions